

# TESA CAL IP65 «magna μ system»

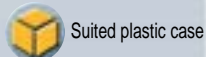
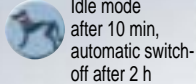
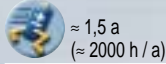
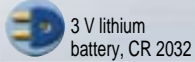
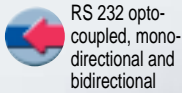
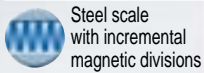
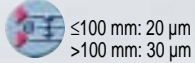
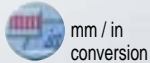
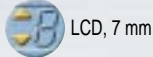
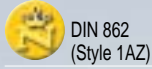
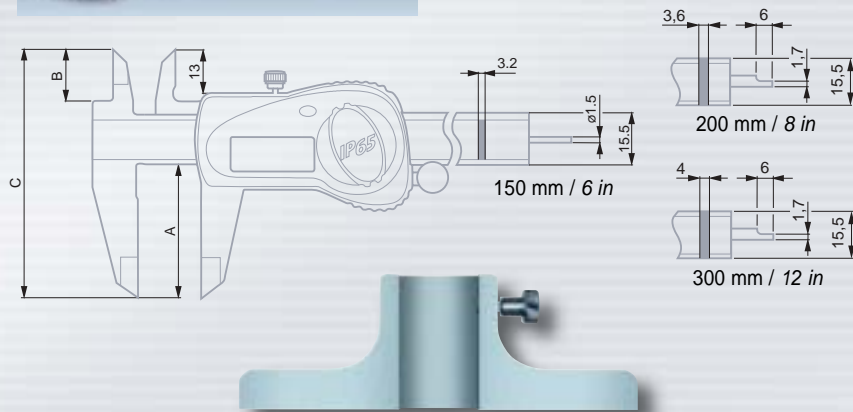
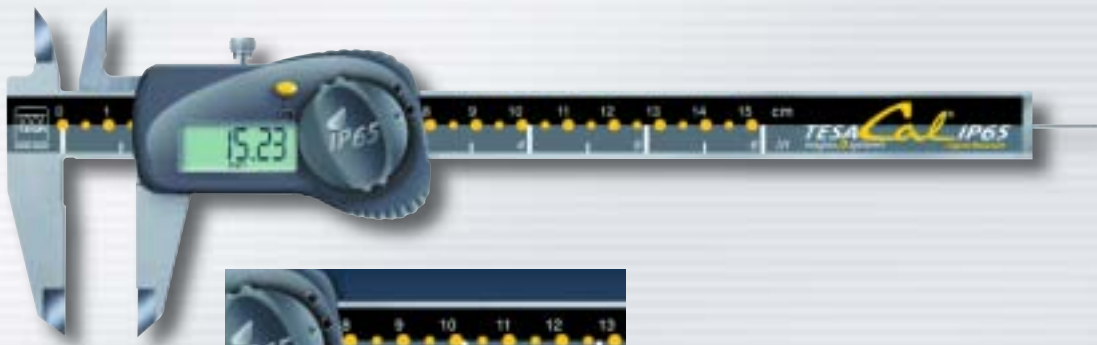


New patented «magna μ system» from TESA

Fully protected against the penetration of liquids or solid contaminants – Highly reliable through a double protection against functional upsetting.

- IP65 prevent dust, particles of metal, spraying water or oil from entering the caliper through effective encapsulation of the main parts.
- New electric measuring system immune against liquids and magnetic fields.

New TESA patented measuring system with magnetic divisions – Outstanding functional reliability in the toughest workshop conditions – High quality construction – Accurate, easy to handle.



<b>00530200</b>	150 / 6	without	without	40	16	71,5	140
<b>00530201</b>	150 / 6	without	with	40	16	71,5	140
<b>00530211</b>	150 / 6	with	with	40	16	71,5	140
<b>00530202</b>	200 / 8	without	with	50	20	89,5	200
<b>00530212</b>	200 / 8	with	with	50	20	89,5	200
<b>00530203</b>	300 / 12	without	with	64	22	105,5	270
<b>00530213</b>	300 / 12	with	with	64	22	105,5	270

### Optional Accessories

- 01961000** 3 V lithium battery, 190 mAh, type CR 2032
- 00560013** Depth measuring foot for calipers having a 150 mm measuring span (also see on page A-25)
- 04761046** RS 232 opto-coupled cable (9-pin), monodirectional, 2 m long  
For ordering information on cables, see section L

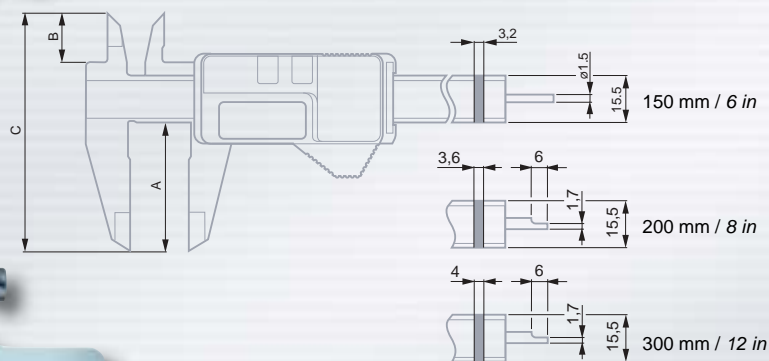
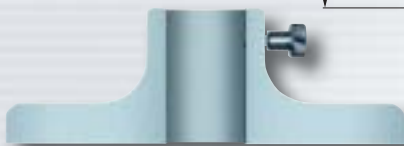
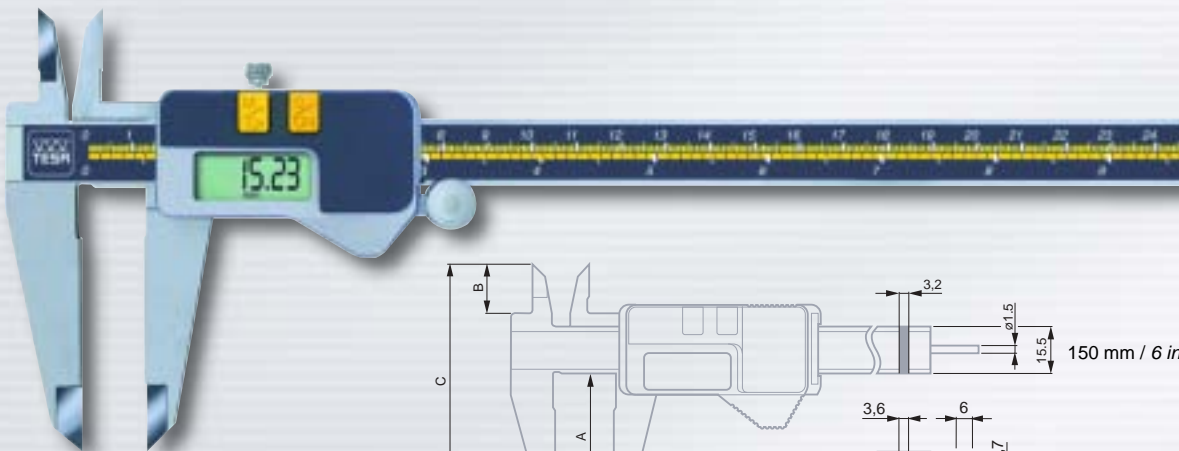


## TESA DIGIT-CAL «capa μ system»



New patented «capa μ system» from TESA

Electronics of the latest generation – High functional reliability – High quality construction – Sure reading of the large digits – Ease of handling – With or without RS 232 data output.



	mm / in	RS 232	Wheel drive	A mm	B mm	C mm	g
00530080	150 / 6	without	without	40	16	71,5	140
00530081	150 / 6	with	without	40	16	71,5	140
00539082*	150 / 6	without	without	40	16	71,5	140
00530082	200 / 8	with	without	50	20	89,5	200
00530083	200 / 8	with	with	50	20	89,5	200
00530084	300 / 12	with	with	64	22	105,5	270

### Optional Accessories

01961000	3 V lithium battery, 190 mAh, type CR 2032
00560013	Depth measuring foot for calipers having a 150 mm measuring span (also see on page A-25)
04761046	RS 232 opto-coupled cable (9-pin), monodirectional, 2 m long For ordering information on cables, see section L

\* ETALON series (not pictured) are equipped with a patented capacitive measuring system («capa μ system» excluded). They have no function «ABS/DIFF» and the max. perm. displacement speed is 1,5 m/s.



DIN 862  
(Style 1AZ)



See table



0,01 mm  
0,0005 in



LCD, 7 mm;  
No. 00539082:  
6 mm



Floating zero



Display lock  
for models  
with digital output



«ABS» and  
«DIFF»



mm / in  
conversion



≤100 mm: 20 μm  
>100 mm: 30 μm



Glass scale  
with incremental  
capacitive  
divisions



> 2 m / s



RS 232  
optocoupled,  
bidirectional



Hardened  
stainless steel



3 V lithium battery,  
CR 2032



≈ 2 a  
(≈ 2000 h / a)



Idle mode  
after 10 min,  
switch-off after  
2 h, automatically



10 °C to 40 °C



-10 °C to 60 °C



80%, with no  
condensation



Protection IP40  
(IEC 60529)



EN 50081-1  
EN 50082-1



Suited plastic case



Identification  
number



Inspection report  
with a declaration  
of conformity

# TESA MICROMASTER Electronic Micrometers with Digital Display



DIN 863 T1

0,001 mm  
0.00005 in

Metric/inch conversion

Tungsten carbide tipped

≤ 100 mm:  
6,5 mm dia.  
> 100 mm:  
8 mm dia.

0,5 mm

Max. 10 N

LCD, digit height: 7 mm

Floating zero

Display lock (except for model EASY)

Interface:  
RS 232  
opto-coupled

3 V lithium battery

1 to 2 a  
(≈ 2000 h/a)

Automatic shut-down after 10 min. Display setting is maintained as long as power supply remains stable

10 °C to 40 °C

-10 °C to 60 °C

80%, with no condensation



Degree of protection (IEC 60529):  
IP40 (also valid with used RS output) or IP54

Plastic case

Identification number

Measuring range 0 to 100: with SCS calibration certificate

Measuring range > 100 mm: inspection report with a declaration of conformity



With new TESA measuring system «capa μ system», patented

- Measuring span of 30 mm
- Large easy-to-read digital display
- Models: – EASY with a single function key  
– IP54 with water spray protection as well as IP54 RS with added RS 232 interface



|--|--|--|--|--|--|--|

### MICROMASTER EASY

<b>06030010</b>	0 ÷ 30	0 ÷ 30	0 ÷ 1.2	0 ÷ 1.2	IP40	–
-----------------	--------	--------	---------	---------	------	---

### MICROMASTER IP54

<b>06030020</b>	0 ÷ 30	0 ÷ 30	0 ÷ 1.2	0 ÷ 1.2	IP54	–
<b>06030021</b>	25 ÷ 50	23 ÷ 53	1 ÷ 2	0.9 ÷ 2.1	IP54	–
<b>06030022</b>	50 ÷ 75	48 ÷ 78	2 ÷ 3	1.9 ÷ 3.1	IP54	–
<b>06030023</b>	75 ÷ 100	74 ÷ 104	3 ÷ 4	2.9 ÷ 4.1	IP54	–

### MICROMASTER IP54 RS

<b>06030030</b>	0 ÷ 30	0 ÷ 30	0 ÷ 1.2	0 ÷ 1.2	IP54	RS 232
<b>06030031</b>	25 ÷ 50	23 ÷ 53	1 ÷ 2	0.9 ÷ 2.1	IP54	RS 232
<b>06030032</b>	50 ÷ 75	48 ÷ 78	2 ÷ 3	1.9 ÷ 3.1	IP54	RS 232
<b>06030033</b>	75 ÷ 100	74 ÷ 104	3 ÷ 4	2.9 ÷ 4.1	IP54	RS 232
<b>06030071</b>	100 ÷ 125	98 ÷ 127	4 ÷ 5	3.9 ÷ 5.01	IP54	RS 232
<b>06030072</b>	125 ÷ 150	123 ÷ 152	5 ÷ 6	4.9 ÷ 6.01	IP54	RS 232
<b>06030073</b>	150 ÷ 175	149 ÷ 178	6 ÷ 7	5.9 ÷ 7.01	IP54	RS 232
<b>06030074</b>	175 ÷ 200	174 ÷ 203	7 ÷ 8	6.9 ÷ 8.01	IP54	RS 232
<b>06030075</b>	200 ÷ 225	199 ÷ 229	8 ÷ 9	7.9 ÷ 9.01	IP54	RS 232
<b>06030076</b>	225 ÷ 250	224 ÷ 254	9 ÷ 10	8.9 ÷ 10.01	IP54	RS 232
<b>06030077</b>	250 ÷ 275	250 ÷ 279	10 ÷ 11	9.9 ÷ 11.01	IP54	RS 232
<b>06030078</b>	275 ÷ 300	275 ÷ 304	11 ÷ 12	10.9 ÷ 12.01	IP54	RS 232

### Optional Accessory

<b>01961000</b>	1 Lithium battery - 3 V, 190 mAh, type CR 2030 For ordering information on connection cables etc., see section L
-----------------	---

