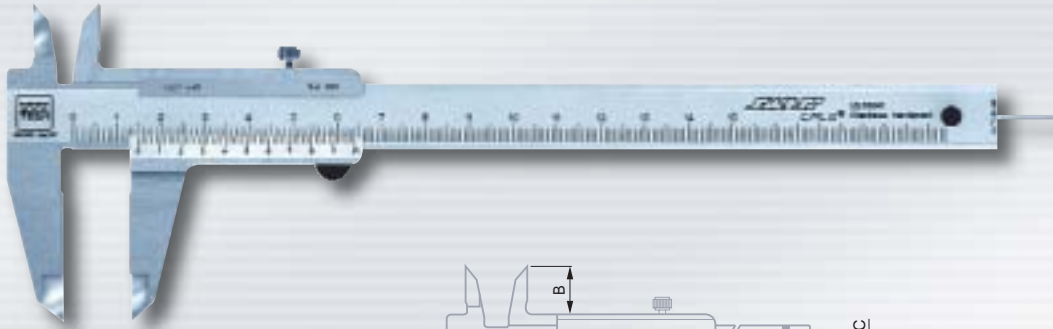


Vernier Calipers

Models TESA SWISSCAL 2, TESA CC, ETALON 117 and ROCH

The calipers that offer good value for money.

– Fitted with a locking screw.



Calipers
No. 0051710313,
00510041,
0051710320, 00530101 and
075111792

Calipers
No. 00519084,
00539057,
00539059, 00517026,
00539060 and 00517027

DIN 862
(Style 1AN-2)
NF E 11-091

Satin-chrome
scale background;
main scale
slightly set back for wear
protection

Calipers
No. 00539060
and 00517027
have no depth rod

Max. perm. error
on page A-2

Hardened stain-
less steel

Suited plastic case

Identification
number

Inspection report
with a declaration
of conformity



				mm	mm	in	in	A mm	B mm	C mm	
		00517313		0 ÷ 125	0,02	–	–	40	15,5	∅ 1,5	
00510041	TESA SWISSCAL 2*	0051710320*		0 ÷ 150	0,02	–	–	40	15,5	∅ 1,5	
00530101	TESA CC*			0 ÷ 150	0,05	0 ÷ 6	1/128	40	15,5	∅ 1,5	
00519084	ETALON			0 ÷ 150	0,05	–	–	40	15,5	∅ 1,5	
00539057	ETALON			0 ÷ 150	0,05	0 ÷ 6	1/128	40	15,5	∅ 1,5	
075111792	ETALON 117*			0 ÷ 150	0,02	0 ÷ 6	0.001	40	15,5	∅ 1,5	
00539059	ETALON			0 ÷ 200	0,02	0 ÷ 8	0.001	50	19	∅ 1,5	
00539060	ETALON			0 ÷ 300	0,02	0 ÷ 12	0.001	65	22	–	

Optional Accessories

00560013 Depth measuring foot suited for all models marked with «*» (also see on page A-25)

0051610365 Magnetic magnifying glass with a 3 x magnification

CALIPERS



Model No. 0051710303

Models No. 00519086 and 00539058

DIN 862 (Style 1AN-2) NF E 11-091

Satin-chrome scale background; main scale slightly set back for wear protection

50 μ m

Hardened stainless steel

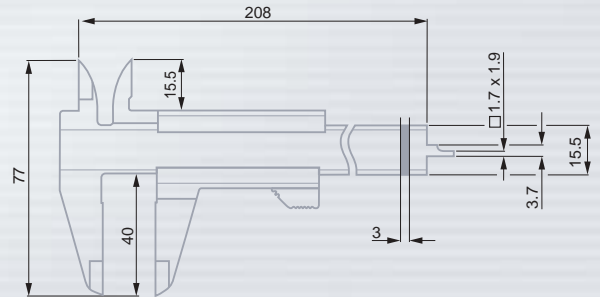
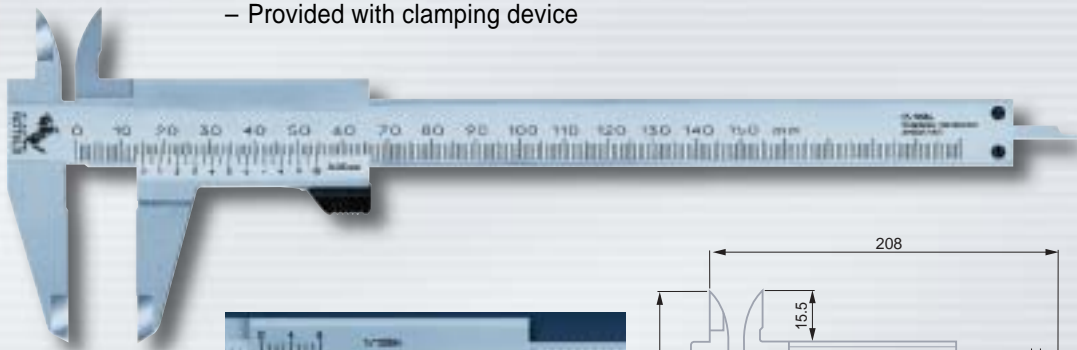
Suited plastic case

Identification number

Inspection report with a declaration of conformity

Models ETALON and ROCH

The calipers with excellent price/performance ratio.
– Provided with clamping device



	mm	mm	in	in		
	0 ÷ 125	0,02	–	–		
00519086	0 ÷ 150	0,05	–	–		
00539058	0 ÷ 150	0,05	0 ÷ 6	1/128		

Optional Accessory

0051610365 Magnetic magnifying glass with a 3 x magnification

✓

DIN 862 (Style 1AP-2) NF E 11-091

Satin-chrome scale background
0,02 mm

vernier read-out:
≤ 100 mm: 20 μ m
> 100 mm: 30 μ m

0,05 mm vernier read-out:
50 μ m

Hardened stainless steel

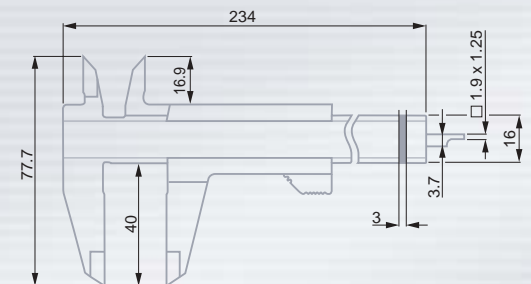
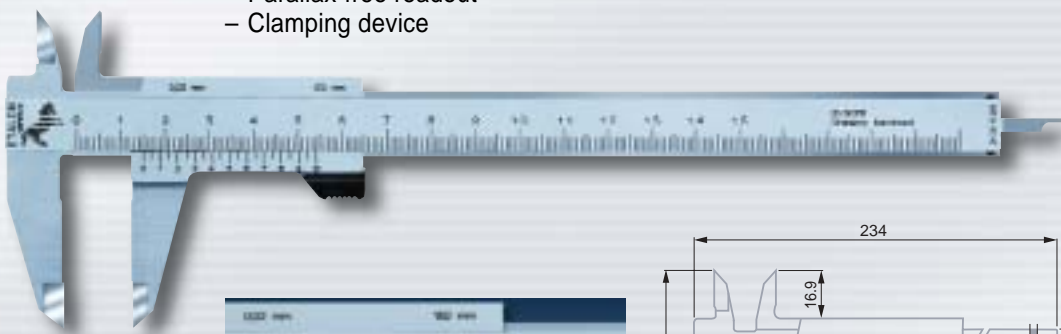
Suited plastic case

Identification number

Inspection report with a declaration of conformity

Models ETALON and ROCH

– Parallax-free readout
– Clamping device



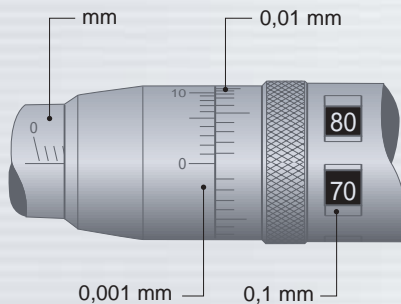
	mm	mm	in	in		
00519087	0 ÷ 150	0,02	–	–		
00519088	0051710309	0 ÷ 150	0,05	–	–	

Optional Accessory

0051610365 Magnetic magnifying glass with a 3 x magnification

TESAMASTER Precision Micrometers with Digital Counter to 0,1 mm

Analogue indication of the full millimetres, hundredths and fractions of hundredths – Accurate, fast reading of the tenths of millimetres – Parallax-free reading of the thousands of millimetres on vernier.



	mm	µm	µm
00310001	0 ÷ 25	2	1
00310002	25 ÷ 50	2	1,5
00310003	50 ÷ 75	3	1,5
00310004	75 ÷ 100	3	1,5
00310005	100 ÷ 125	4	2
00310006	125 ÷ 150	4	2,5
00310007	150 ÷ 175	5	3
00310008	175 ÷ 200	5	3
00310009	200 ÷ 225	6	3,5
00310010	225 ÷ 250	6	3,5
00310011	250 ÷ 275	7	4
00310012	275 ÷ 300	7	4

	in	µm	µm
00320001	0 ÷ 1	2	1
00320002	1 ÷ 2	2	1,5
00320003	2 ÷ 3	3	1,5
00320004	3 ÷ 4	3	1,5

- ✓
- Vernier reading to 0,001 mm or 0.0001 in
- Scale division: 0,1 mm or 0.005 in
- Tungsten carbide tipped
- ≤ 100 mm: 6,5 mm dia. > 100 mm: 8 mm dia
- 0,5 mm
- Max. 10 N
- Plastic case
- Identification number
- Inspection report with a declaration of conformity

ETALON MICRORAPID 226 with 1 mm Revolution

High precision micrometers – Fast, accurate reading – No reading error of the half millimetres – Barrel with 1 mm pitch – Thimble with 100 graduations – Vernier reading to 0,001 mm.



	mm	µm	µm
072116406	0 ÷ 25	2	1
072116407	25 ÷ 50	2	1,5
072116408	50 ÷ 75	3	1,5
072116409	75 ÷ 100	3	1,5

- ✓
- 0,001 mm, parallax-free reading on vernier
- Tungsten carbide tipped
- 6,5 mm dia.
- 1 mm
- Max. 10 N
- Plastic case
- Identification number
- Inspection report with a declaration of conformity

ETALON Basic to 0,001 mm

High accuracy – Parallax-free reading on vernier.



		mm	µm	µm
00119051		0 ÷ 25	3	2
00119052		25 ÷ 50	3	2
00119053		50 ÷ 75	3	3
00119054		75 ÷ 100	3	3



DIN 863 T1
NF E 11-095

Vernier reading
to 0,001 mm,
parallax-free

Tungsten carbide
tipped

6,5 mm dia.

0,5 mm

Max. 10 N

Plastic case

Identification
number

Inspection report
with a declaration
of conformity

ETALON 260 Standard Models with Analogue Indication

The knurled sleeve needs only be reversed to render the friction drive built into the thimble inactive.



		mm	mm	µm
071115887		0 ÷ 25	0,002	2
071115888		25 ÷ 50	0,002	2
071115889		50 ÷ 75	0,002	3
071115890		75 ÷ 100	0,002	3
071115891		100 ÷ 125	0,01	4
071115892		125 ÷ 150	0,01	4
071115893		150 ÷ 175	0,01	5
071115894		175 ÷ 200	0,01	5
071115895		200 ÷ 225	0,01	6
071115896		225 ÷ 250	0,01	6
071115897		250 ÷ 275	0,01	7
071115898		275 ÷ 300	0,01	7
		in	in	µm
071115899		0 ÷ 1	0.00001	2
071115900		1 ÷ 2	0.00001	2
071115901		2 ÷ 3	0.00001	3
071115902		3 ÷ 4	0.00001	3



DIN 863 T1
NF E 11-095

0 to 100 mm or
0 to 4 in with
vernier reading

Tungsten carbide
tipped

≤ 100 mm:
6,5 mm dia.
> 100 ≤ 300:
8 mm dia.

0,5 mm

Max. 10 N

Plastic case

Identification
number

Inspection report
with a declaration
of conformity