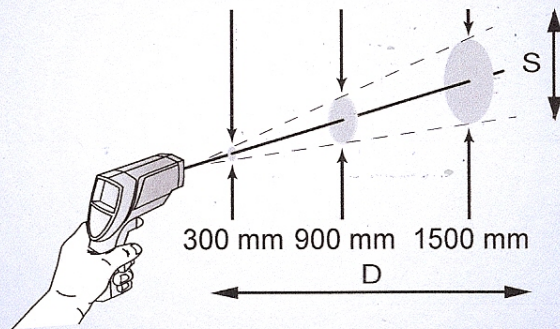


SemiTemp

Hand-held measuring instrument for none contact temperature measurement



SemiTemp 2030B2	38 mm	75 mm	132 mm
SemiTemp 6080A1	24 mm	30 mm	62 mm
SemiTemp 6080B1	19 mm	18 mm	42 mm



Properties	SemiTemp 2030 B2	SemiTemp 6080 A1	SemiTemp 6080 B1
Configuration	LC-Display, LOW-Bat., HOLD-function, max-data-store, backlight, laser ON/OFF, tripod mount, rubberized casing		
	Magnet clamp	Indication of average and difference, LO- and HI-Alarm (buzzer), Data store for 12 values, LOCK-function, Connection for external sensor Pt1000 / 2 wire	Indication of average and difference, LO- and HI-Alarm (buzzer), Data store for 12 values, LOCK-function, Connection for external sensor Pt1000 / 2 wire
Measuring range	-32...535 °C	-32...600 °C	-32...760 °C
Sight	2-point-laser	point-laser	point-laser
Optical resolution	16/1 (distance/spot size)	30/1 (distance/spot size)	50/1 (distance/spot size)
Output	---	---	---
Spectral range	8...14 µm (universal)		
Resolution	0.2 °C or 0.5 °F	0.1 °C or 0.2 °F	0.1 °C or 0.2 °F
Accuracy	+/-1 % of rdg. or +/-3 °C		
Emmisivity	0.95 (pre-set)	adjustable 0.30...1.00	adjustable 0.30...1.00
Temperature units	°C / °F switchable		
Power supply	9 V block battery		
Dimensions	195 x 135 x 40 mm (WxHxD)		
Weight	320 g incl. battery		
Accessory	Complete with strap and service/transport case		
Type of protection	---	---	Model SemiTemp 6080 B1-IS intrinsic safty acc. Factory Mutual (no ATEX)

