

# TEMPERATURE

## Mechanical Temperature Switches



switch



measure



control

**Barksdale**  
Control Products GmbH

# Index

## Introduction

Contact materials .....	2
Description .....	3
Ambient temperature compensation / Switching accuracy .....	3

## Models

### Mechanical Temperature Switches with remote sensor

<b>Type MT1H</b>	
Description and technical data .....	4
Dimensions / Order number key .....	5

### Type T2H

Description and technical data .....	6
Dimensions / Order number key .....	7

### Mechanical Temperature Switches with remote sensor for Ex-applications

<b>Type T1X / T1X-Ex / T2X</b>	
Description and technical data .....	8
Dimensions / Order number key .....	9

### Mechanical Temperature Switches Local mount types

<b>Type ML1H</b>	
Description and technical data .....	10
Dimensions / Order number key .....	11

### Type L2H

Description and technical data .....	12
Dimensions / Order number key .....	13

## Accessories

Thermowells, split nuts, union connectors, capillaries, thermal conductive paste, certificates .....	14
---	----

## Product Overview

Fax order form .....	15
----------------------	----

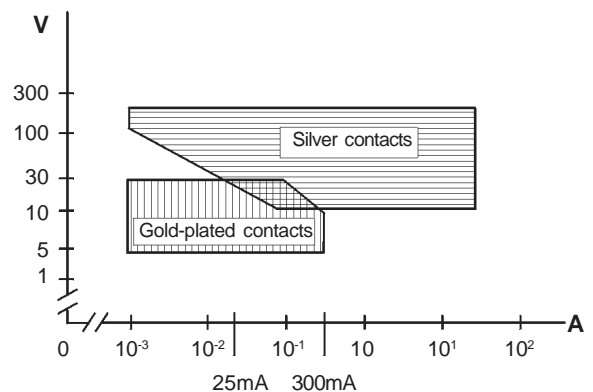
### Contact materials

Barksdale pressure switches have silver contact microswitches. On request, we also supply microswitches with gold-plated contacts. Gold-plated contacts are almost exclusively used on microswitches that are only exposed to low electrical loads. Fig. 4 depicts the standard values of silver or gold-plated contacts. We would gladly assist you in the selection of the material best suited for your application.

#### Summary

Current and voltage should not exceed 0.12 VA. Recommended values: the current should range at < 400 mA and the voltage at < 30 V. If operated on alternating current the above values are peak values.

Range of application of the various contact materials

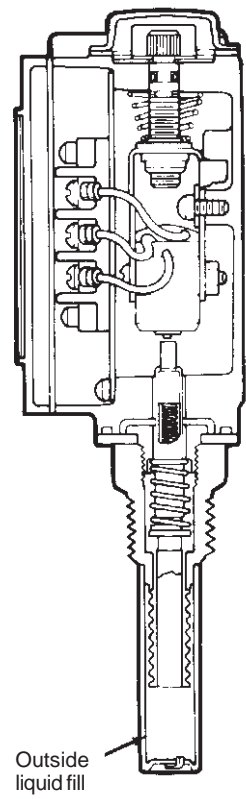
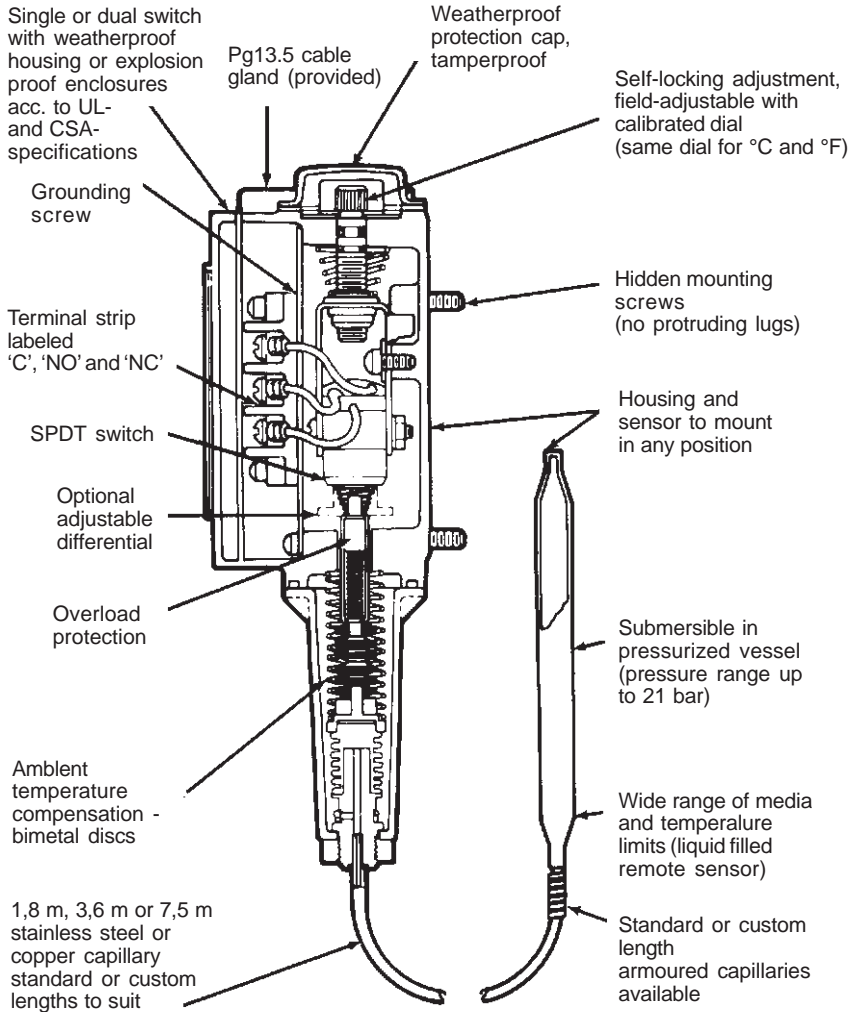


# Introduction

**Description**

**Remote sensor and capillary type**

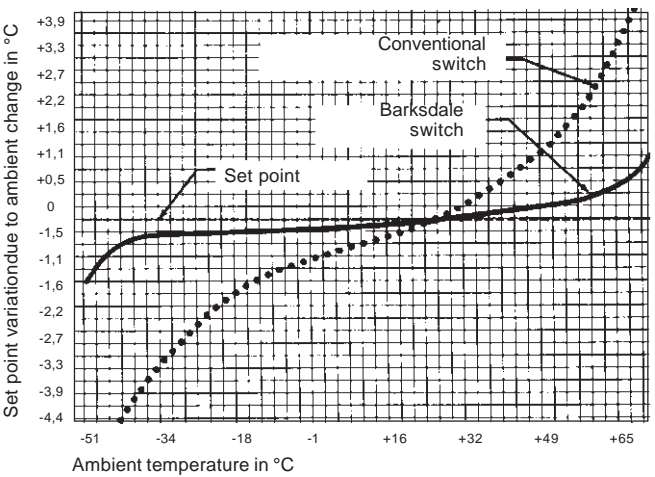
**Local mount type**



02 / 02 KTM-EN 02/1

Barksdale Mechanical Temperature Switches

**Ambient Temperature Compensation and switching accuracy**



Barksdale Temperature Switches incorporate a compensating device to cancel out the adverse effects of ambient fluctuation. Curves reflect averages of a series of tests. Results of specific conditions are available on request. Barksdale switches are designed for  $\pm 1/2$  percent accurate response through the mid 60% of the adjustable range ( $\pm 2\%$  at min. or max. adjustable set point).

**Example:**  
In conventional switches an ambient temperature fluctuation between  $-50^{\circ}\text{C}$  and  $+75^{\circ}\text{C}$  produces a swing of 10 degrees or more - in Barksdale switches extreme fluctuation of ambient may result in a 2 to 3 degrees swing.

Specifications are subject to changes without notice.

# Type MT1H

**with capillary**

**Features**

- Single switch with remote sensor
- Weatherproof housing
- Covered terminal strip and set point adjustment
- Protection class IP65
- Manual reset:  
Option G-RD microswitch
- Temperature control with adjustable hysteresis:  
Option: S microswitch

**Measuring Ranges**

-54...+57 °C to +160...+316 °C

**Applications**

Temperature monitoring in machine and machine tool industry, shipbuilding, railcars, antifreeze, heating systems, compressor monitoring



**Technical Data**

Housing material	: Die-cast aluminum
Temperature sensor material	: Stainless steel (316SS)
Temperature sensor	: Capillary length 1,8 m or 3,6 m (optional 7,5 m), armoured
Electrical characteristics	: All models are SPDT
Microswitch	: H, M, GH, GM (G only with RD-model), S (adjustable hysteresis), J (microswitch with O-Ring seal)
Contact rating	: - AC: 125 V AC to 250 V AC, 10 A 480 V AC, 3 A - DC: 6 V DC to 24 V DC, 0,5 A
Electrical connection	: 1/2" NPT female, internal screw terminal, cable gland in PA, range 6...12 mm is provided
Protection class	: IP65, (Option RD: IP54)
Ex-Protection class	: EEx ia IIC
Set point adjustment	: Turn adjustment knob clockwise to increase actuation point
Standards	: The instruments fulfill the requirements of following harmonized european standards: EN 60014 1977 + A1 to A4 and EN 500120 1977 + A1
Electrical characteristics Exi-model	: U <sub>max</sub> = 28 V DC or 20 V <sub>eff</sub> , I <sub>max</sub> = 50 mA DC or 35 mA <sub>eff</sub> To comply with the intrinsically safe approval, IS circuits with the following maximum ratings have to be used: U <sub>max</sub> = 28 V and I <sub>max</sub> = 50 mA
Approvals	: Various approvals on request
Weight	: appr. 750 g

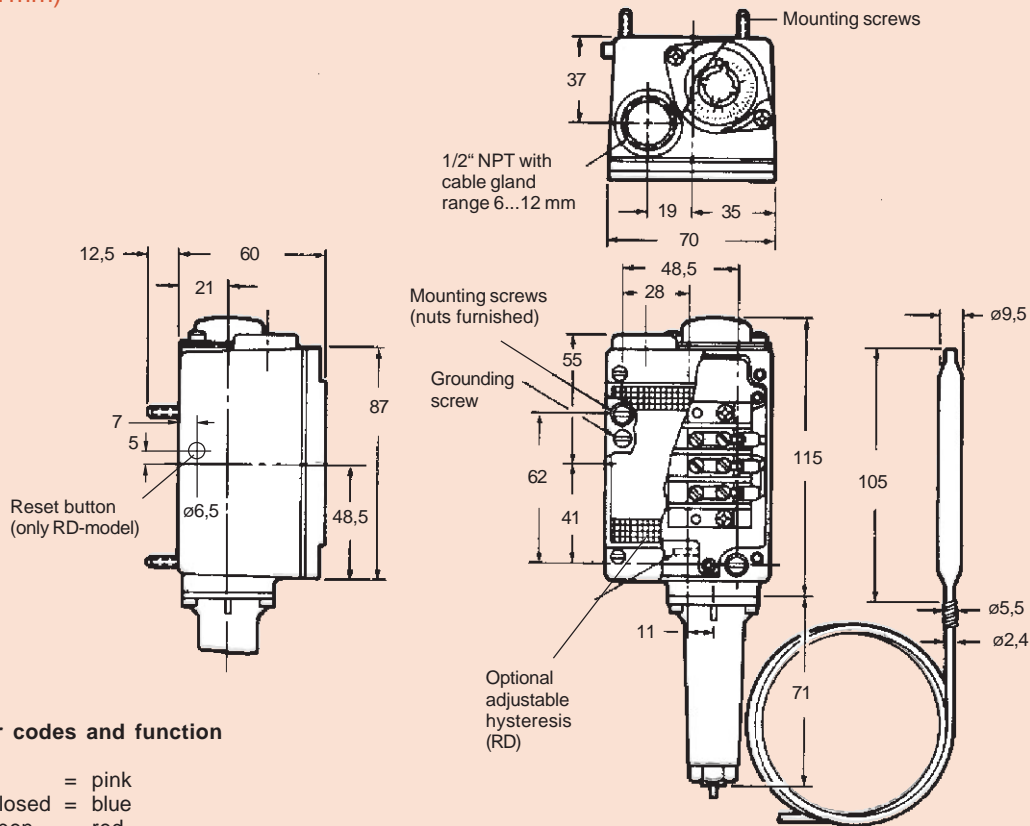
02 / 02 KTM-EN 02/1

Barksdale Mechanical Temperature Switches

Specifications are subject to changes without notice.

# Type MT1H

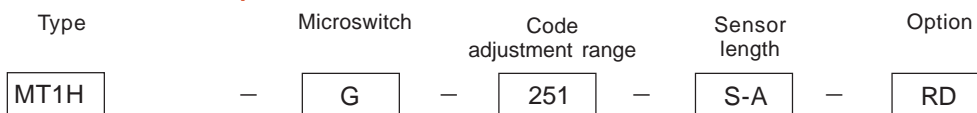
## Dimensions (in mm)



### Contacts: Colour codes and function

- C = common = pink
- NC = normally closed = blue
- NO = normally open = red

### Order number example



### Your order number



Microswitch	Max. temperature at sensor (°C)	Adjustment range (°C)	Hysteresis (°C)* (for microswitch „H“)	Order code	Sensor length	Option
(H) Silver contact, small hysteresis	-73 ... +93	-54 ... +57	0,5 ... 1,1	<b>152</b>	(S-A) 1,8 m, armoured, VA	(RD) Manual reset
(J) Silver contact, sealed, small hysteresis	-73 ... +149	+10 ... +121	0,5 ... 1,1	<b>251</b>		
(M) Silver contact, medium hysteresis	-73 ... +205	+66 ... +177	0,5 ... 1,1	<b>351</b>	(S-12-A) 3,6 m, armoured, VA	(Exi) Exi-protection version
(GH) Gold plated contact, small hysteresis	-18 ... +343	+149 ... +227	1,1 ... 2,2	<b>601</b>		
(GM) Gold plated contact, medium hysteresis	-18 ... +343	+149 ... +304	1,1 ... 2,2	<b>602</b>		
(S) Silver contact, adjustable hysteresis	-18 ... +343	+160 ... +316**	1,1 ... 2,2	<b>603</b>	(S-25-A) 7,5 m, armoured, VA	
(G...RD) manual reset	-18 ... +343	+182 ... +260**	1,1 ... 2,2	<b>604</b>		
		+238 ... +316**	1,1 ... 2,2	<b>605</b>		
			2,2 ... 8,2 (S) 3,8 ... 13,8** (S)			
			2,8 ... manual (RD)			

\* Values for use in liquids. In gaseous media the indicated range doubles.

# Type T2H

**with capillary**

**Features**

- Dual switch with remote sensor and weatherproof housing
- integrated terminal strip and covered set point adjustment
- Protection class IP65
- For use as two-position controller
- optional with one microswitch for temperature control with adjustable hysteresis
- The second contact can also be used for max.- or min.- monitoring or for sensor monitoring

**Measuring Ranges**

-54...+57 °C to +160...+316 °C

**Applications**

Temperature monitoring in industry, shipbuilding, railcars



**Technical Data**

Housing material	: Die-cast aluminum
Temperature sensor material	: Stainless steel (316SS)
Temperature sensor	: Capillary length 1,8 m or 3,6 m (optional 7,5 m), armoured
Electrical characteristics	: All models are SPDT
Microswitch	: H, M, GH, GM (optional with RD manual reset for the 1st low circuit switching contact only)
Contact rating	: - AC: 125 V AC to 250 V AC, 10 A 480 V AC, 3 A - DC: 6 V DC to 24 V DC, 0,5 A
Electrical connection	: 3/4" NPT female, internal screw terminal, cable gland in PA, range 6...12 mm is provided
Protection class	: IP65, (Option RD: IP54)
Ex-Protection class	: EEx ia IIC
Set point adjustment	: Turn adjustment knob clockwise to increase actuation point
Standards	: The instruments fulfill the requirements of following harmonized european standards: EN 60014 1977 + A1 to A4 and EN 500120 1977 + A1
Electrical characteristics Exi-model	: Umax = 28 V DC or 20 Veff, Imax = 50 mA DC or 35 mAeff To comply with the intrinsically safe approval, IS circuits with the following maximum ratings have to be used: Umax = 28 V and Imax = 50 mA
Approvals	: Various approvals on request
Weight	: appr. 1,5 kg

02 / 02 KTM-EN 02/1

Barksdale Mechanical Temperature Switches

Specifications are subject to changes without notice.

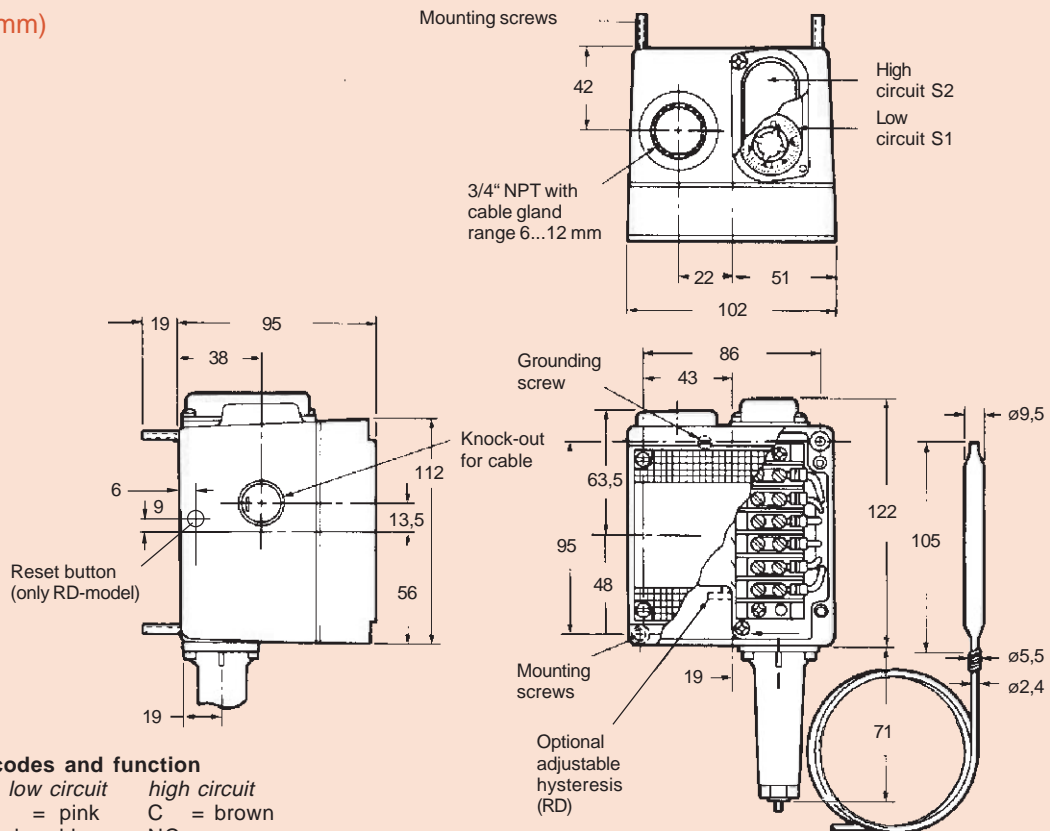


# Type T2H

02 / 02 KTM-EN 02/1

Barksdale Mechanical Temperature Switches

## Dimensions (in mm)



### Contacts: Colour codes and function

	<i>low circuit</i>	<i>high circuit</i>
C = common	= pink	C = brown
NC = normally closed	= blue	NC = orange
NO = normally open	= red	NO = yellow

### Order number example

Type	Microswitch	Code adjustment range	Sensor length	Option
T2H	M	251	S-A	

### Your order number

T2H				
-----	--	--	--	--

Specifications are subject to changes without notice.

Microswitch	Max. temperature at sensor (°C)	Adjustment range (°C)	Hysteresis (°C)* (for microswitch „H“)	Order code	Sensor length	Option
(H) Silver contact, small hysteresis	-73 ... +93	-54 ... +57	0,5 ... 1,1	<b>152</b>	(S-A)	(RD)
(J) Silver contact, sealed, small hysteresis	-73 ... +149	+10 ... +121	0,5 ... 1,1	<b>251</b>	1,8 m, armoured, VA	Manual reset
(M) Silver contact, medium hysteresis	-73 ... +205	+66 ... +177	0,5 ... 1,1	<b>351</b>		
(GH) Gold plated contact, small hysteresis	-18 ... +343	+149 ... +227	1,1 ... 2,2	<b>601</b>	(S-12-A)	(Exi)
(GM) Gold plated contact, medium hysteresis	-18 ... +343	+149 ... +304	1,1 ... 2,2	<b>602</b>	3,6 m, armoured, VA	Exi-protection version
(S) Silver contact, adjustable hysteresis	-18 ... +343	+160 ... +316**	1,1 ... 2,2	<b>603</b>		
(G...RD) manual reset	-18 ... +343	+182 ... +260**	1,1 ... 2,2	<b>604</b>		
		+238 ... +316**	1,1 ... 2,2	<b>605</b>	(S-25-A)	
			2,2 ... 8,2 (S)		7,5 m, armoured, VA	
			3,8 ... 13,8** (S)			
			2,8 ... manual (RD)			

\* Values for use in liquids. In gaseous media the indicated range doubles.

# Type T1X / T1X-Ex / T2X

with capillary

## Features

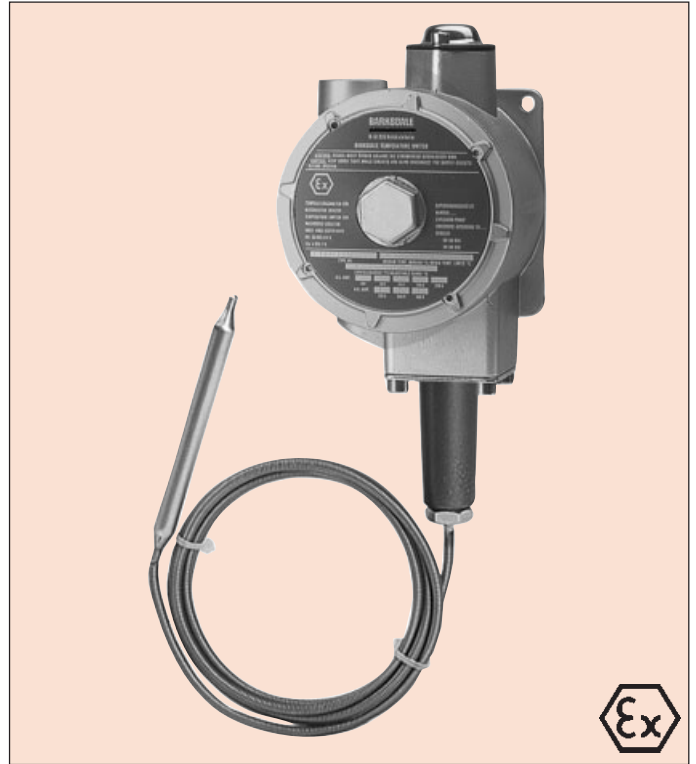
- Single switch T1X, T1X-Ex and dual switch T2X with remote sensor
- Weatherproof housing
- Covered terminal strip and set point adjustment
- Protection class NEMA 7,9
- Special version for track heating systems with ratings up to 32 A / 220 V

## Measuring Ranges

-54...+57 °C to +160...+316 °C

## Applications

Temperature monitoring and control in chemical industry and oil industry, offshore



## Technical Data

Housing material	: Die-cast aluminum
Temperature sensor material	: Stainless steel (316SS)
Temperature sensor	: Capillary length 1,8 m or 3,6 m (optional 7,5 m), armoured
Electrical characteristics	: All models are SPDT
Microswitch	: H, M, GH, GM
Contact rating	: - AC: 125 V AC to 250 V AC, 10 A 480 V AC, 3 A - DC: 6 V DC to 24 V DC, 0,5 A
Electrical connection	: From the terminal strip through a 1/2" NPT conduit connection (T1X / T1X-Ex) resp. 1/2" NPT conduit connection (T2X) outside.
Protection class	: NEMA 7,9 (T1X and T2X)
Ex-Protection class	: EEx-d (CENELEC) T1X-Ex only
Set point adjustment	: Turn adjustment knob clockwise to increase actuation point
Standards	: The instruments fulfill the requirements of following harmonized european standards: EN 60014 1977 + A1 to A4 and EN 500120 1977 + A1
Electrical characteristics Exi-model	: U <sub>max</sub> = 28 V DC or 20 V <sub>eff</sub> , I <sub>max</sub> = 50 mA DC or 35 mA <sub>eff</sub> To comply with the intrinsically safe approval, IS circuits with the following maximum ratings have to be used: U <sub>max</sub> = 28 V and I <sub>max</sub> = 50 mA
Approvals	: Various approvals on request, EEx-d (pressure-proof encapsulation) T1X-Ex only
Weight	: appr. 2 kg



# Type T1X / T1X-Ex / T2X

02 / 02 KTM-EN 02/1

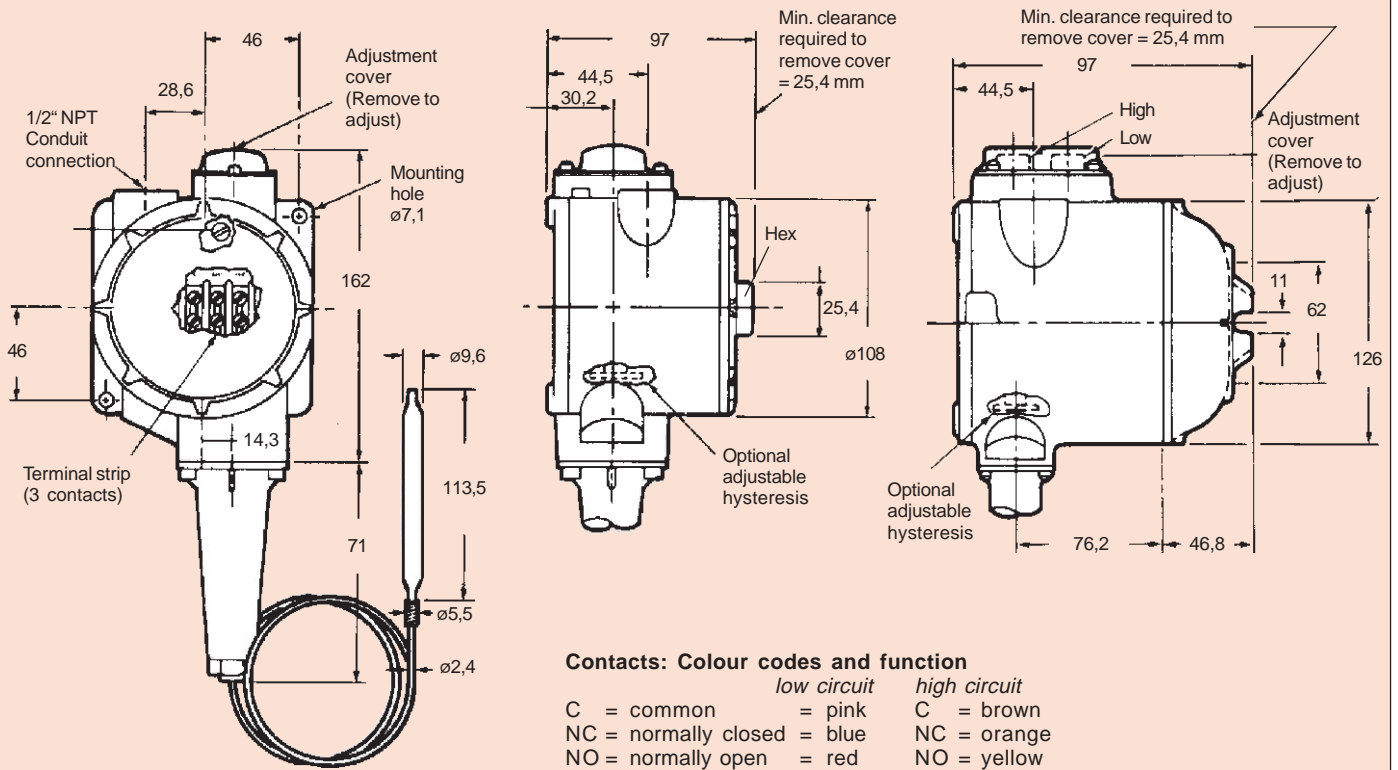
Barksdale Mechanical Temperature Switches

Specifications are subject to changes without notice.

**Dimensions (in mm)**

**T1X/T1X-Ex**

**T2X**



**Contacts: Colour codes and function**

	<i>low circuit</i>	<i>high circuit</i>
C = common	= pink	C = brown
NC = normally closed	= blue	NC = orange
NO = normally open	= red	NO = yellow

**Order number example**

Type	Microswitch	Code adjustment range	Sensor length	Option
T1X				
T1X-Ex	- HG	- 251	- S-A	- Ex
T2X				

**Your order number**

T-X				
-----	--	--	--	--

Microswitch	Max. temperature at sensor (°C)	Adjustment range (°C)	Hysteresis (°C)* (for microswitch „H“)	Order code	Sensor length	Option
(H) Silver contact, small hysteresis	-73 ... +93	-54 ... +57	0,5 ... 1,1	<b>152</b>	(S-A)	(Exi)
	-73 ... +93	-45 ... +66	0,5 ... 1,1	<b>154</b>	1,8 m, armoured, VA	Exi-protection version
	-73 ... +149	+10 ... +121	0,5 ... 1,1	<b>251</b>		
(M) Silver contact, medium hysteresis	-73 ... +205	+66 ... +177	0,5 ... 1,1	<b>351</b>		
	-18 ... +343	+149 ... +227	1,1 ... 2,2	<b>601</b>	(S-12-A)	(Ex)
	-18 ... +343	+149 ... +304	1,1 ... 2,2	<b>602</b>	3,6 m, armoured, VA	Ex-d-protection (T1X-Ex only)
(GH) Gold plated contact, small hysteresis	-18 ... +343	+160 ... +316	1,1 ... 2,2	<b>603</b>		
	-18 ... +343	+182 ... +260	1,1 ... 2,2	<b>604</b>		
(GM) Gold plated contact, medium hysteresis	-18 ... +343	+238 ... +316	1,1 ... 2,2	<b>605</b>	(S-25-A) 7,5 m, armoured, VA	

\* Values for use in liquids. In gaseous media the indicated range doubles.

# Type ML1H

**Local mount type**

**Features**

- Single switch with remote sensor
- Weatherproof housing
- Covered terminal strip and set point adjustment
- Protection class IP65
- Manual reset: Option G-RD microswitch
- Temperature control with adjustable hysteresis:  
Option: S microswitch
- Thermowell in VA and brass 3/4" NPT  
Option: W = brass, WS = CrNi-steel SS316Ti, 1.4571

**Measuring Ranges**

54...+24 °C to +149...+232 °C

**Applications**

Temperature monitoring in machine and machine tool industry, shipbuilding, antifreeze, heating systems, compressor monitoring

**Technical Data**



Housing material	: Die-cast aluminum
Process connection	: Standard 1/2" NPT, Option W/WS 3/4" NPT
Temperature sensor material	: ML1H . . . . : brass/copper, ML1H . . . . S: CrNi-steel (304SS, 1.4301)
Electrical characteristics	: All models are SPDT
Microswitch	: H, M, GH, GM (G only with RD-model), S (adjustable hysteresis), J (microswitch with O-Ring seal)
Contact rating	: - AC: 125 V AC to 250 V AC, 10 A 480 V AC, 3 A - DC: 6 V DC to 24 V DC, 0,5 A
Electrical connection	: 1/2" NPT female, internal screw terminal, cable gland in PA, range 6...12 mm is provided
Protection class	: IP65, (Option RD: IP54)
Ex-Protection class	: EEx ia IIC
Set point adjustment	: Turn adjustment knob clockwise to increase actuation point
Standards	: The instruments fulfill the requirements of following harmonized european standards: EN 60014 1977 + A1 to A4 and EN 500120 1977 + A1
Electrical characteristics Exi-model	: Umax = 28 V DC or 20 Veff, Imax = 50 mA DC or 35 mAeff To comply with the intrinsically safe approval, IS circuits with the following maximum ratings have to be used: Umax = 28 V and Imax = 50 mA
Approvals	: Various approvals on request
Weight	: appr. 750 g

02 / 02 KTM-EN 02/1

Barksdale Mechanical Temperature Switches

Specifications are subject to changes without notice.

# Type ML1H

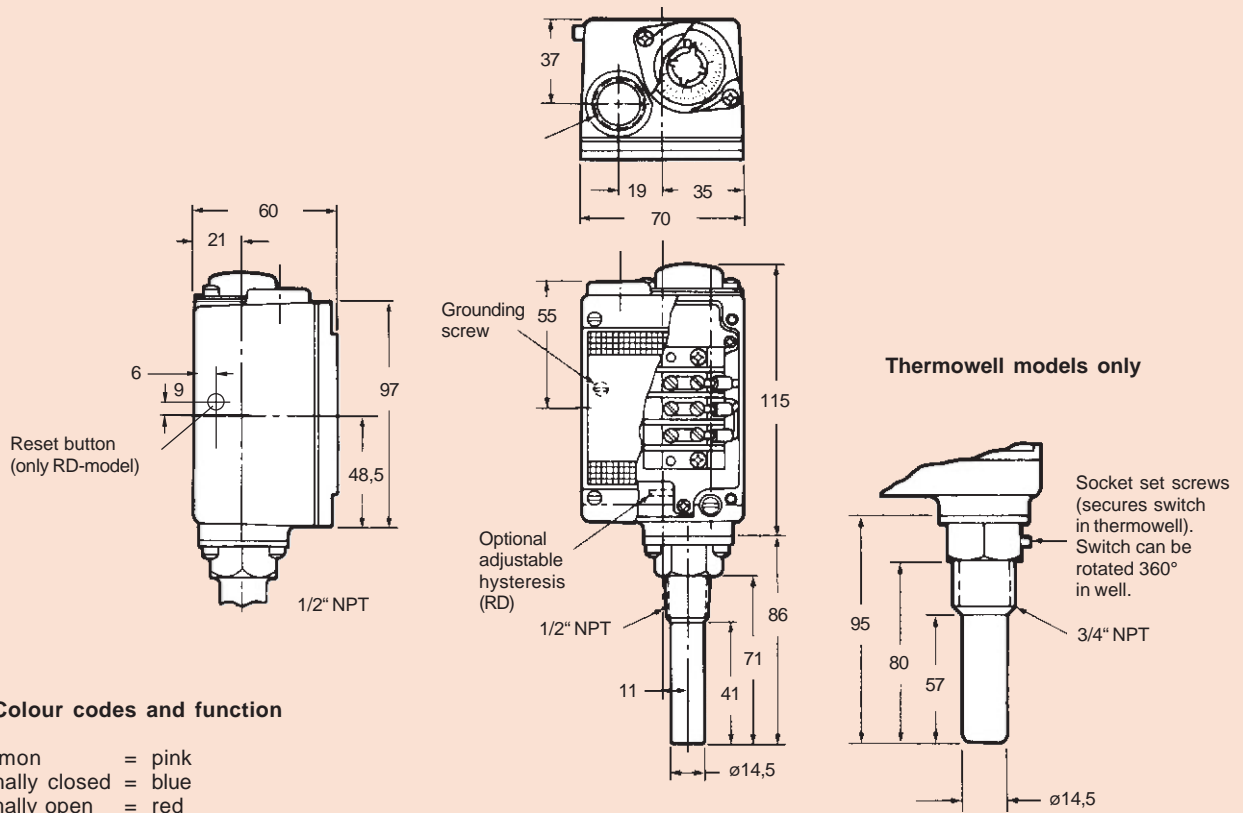
02 / 02 KTM-EN 02/1

Barksdale Mechanical Temperature Switches

Specifications are subject to changes without notice.

## Dimensions (in mm)

without thermowell



### Contacts: Colour codes and function

- C = common = pink
- NC = normally closed = blue
- NO = normally open = red

### Order number example

Type	Microswitch	Code adjustment range	Sensor material *	Option 1	Option 2
ML1H	G	251		Exi	WS

### Your order number

ML1H					
------	--	--	--	--	--

\* no code: brass/copper, option: S = stainless steel 316SS

Microswitch	Max. temperature at sensor (°C)	Adjustment range (°C)	Hysteresis (°C)* (for microswitch „H“)	Order code	Option 1	Option 2
(H) Silver contact, small hysteresis	-73 ... +121	-45 ... +24	0,5 ... 0,4	<b>201</b>	(RD)	(W)
(J) Silver contact, sealed, small hysteresis	-73 ... +121	-9 ... +60	0,5 ... 1,6	<b>202</b>	Manual reset	Thermowell brass
(M) Silver contact, medium hysteresis	-73 ... +205	+24 ... +93	0,5 ... 1,6	<b>203</b>	(Exi)	(WS)
(GH) Gold plated contact, small hysteresis	-73 ... +205	+38 ... +107	0,5 ... 1,6	<b>351</b>	Exi-protection version	Thermowell VA (1.4571, 315SS Ti)
(GM) Gold plated contact, medium hysteresis	-73 ... +205	+74 ... +143	0,5 ... 1,6	<b>352</b>		
(S) Silver contact, adjustable hysteresis	-73 ... +121	+107 ... +177	0,5 ... 1,6	<b>353</b>		
(G...RD) manual reset	-73 ... +121	-45 ... +93	0,5 ... 1,6	<b>204</b>		
	-73 ... +205	+38 ... +177	0,5 ... 1,6	<b>354</b>		
	-18 ... +260	+66 ... +149**	1,6 ... 3,3	<b>451</b>		
	-18 ... +260	+110 ... 193**	1,6 ... 3,3	<b>452</b>		
	-18 ... +260	+149 ... 232**	1,6 ... 3,3	<b>453</b>		
	-18 ... +260	+66 ... 232	1,6 ... 3,3	<b>454</b>		
			3,3 ... 11,0 (S)			
			5,5 ... 16,5** (S)			
			2,8 ... manual (RD)			

\* Values for use in liquids. In gaseous media the indicated range doubles.

## Type L2H

### Local mount type

#### Features

- Dual switch with remote sensor and weatherproof housing
- integrated terminal strip and covered set point adjustment
- Protection class IP65
- For use as two-position controller optional with one microswitch for temperature control with adjustable hysteresis
- The second contact can also be used for max.- or min.- monitoring or for sensor monitoring
- Option Thermowell: W = brass, WS = CrNi-steel SS316Ti, 1.4571

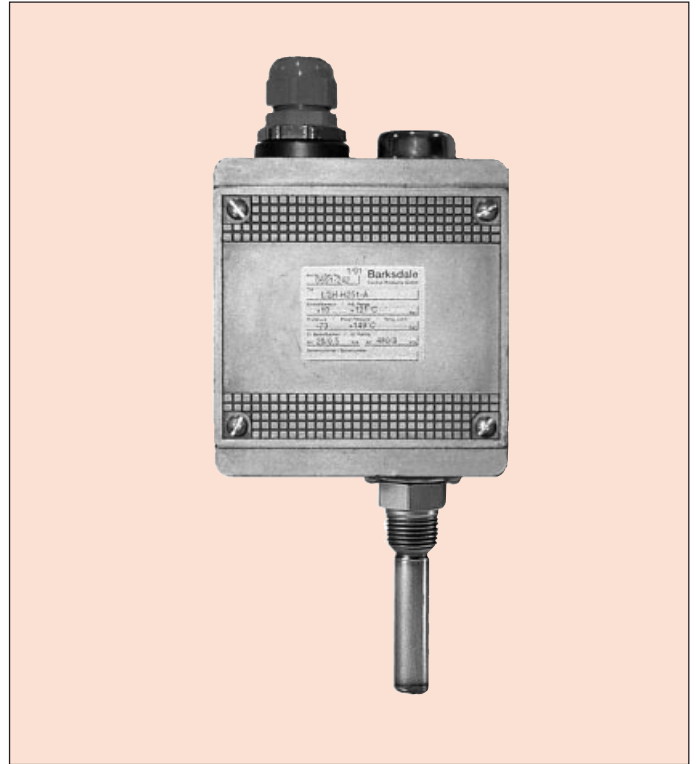
#### Measuring Ranges

-54...+24 °C to +149...+232 °C

#### Applications

Temperature monitoring in industry, shipbuilding, railcars

#### Technical Data



Housing material	: Die-cast aluminum
Process connection	: Standard 1/2" NPT, Option W/WS 3/4" NPT
Temperature sensor material	: ML1H . . . . : brass/copper, ML1H . . . . S: CrNi-steel (304SS, 1.4301)
Electrical characteristics	: All models are SPDT
Microswitch	: H, M, GH, GM (optional with RD manual reset for the 1st switching contact only)
Contact rating	: - AC: 125 V AC to 250 V AC, 10 A 480 V AC, 3 A - DC: 6 V DC to 24 V DC, 0,5 A
Electrical connection	: 3/4" NPT female, internal screw terminal, cable gland in PA, range 6...12 mm is provided
Protection class	: IP65, (Option RD: IP54)
Ex-Protection class	: EEx ia IIC
Set point adjustment	: Turn adjustment knob clockwise to increase actuation point
Standards	: The instruments fulfill the requirements of following harmonized european standards: EN 60014 1977 + A1 to A4 and EN 500120 1977 + A1
Electrical characteristics Exi-model	: U <sub>max</sub> = 28 V DC or 20 V <sub>eff</sub> , I <sub>max</sub> = 50 mA DC or 35 mA <sub>eff</sub> To comply with the intrinsically safe approval, IS circuits with the following maximum ratings have to be used: U <sub>max</sub> = 28 V and I <sub>max</sub> = 50 mA
Approvals	: Various approvals on request
Weight	: appr. 1,5 kg

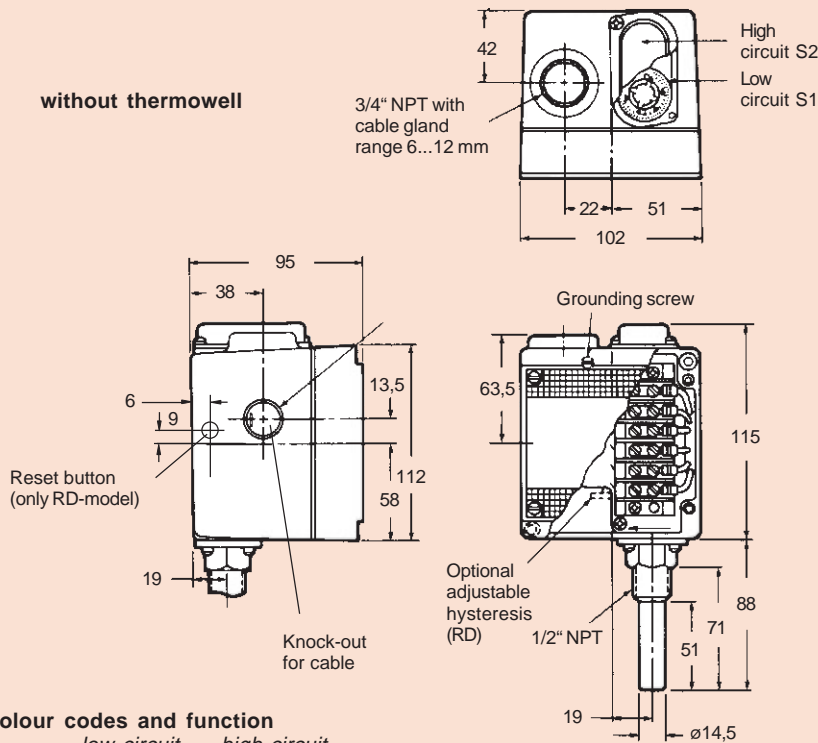
# Type L2H

02 / 02 KTM-EN 02/1

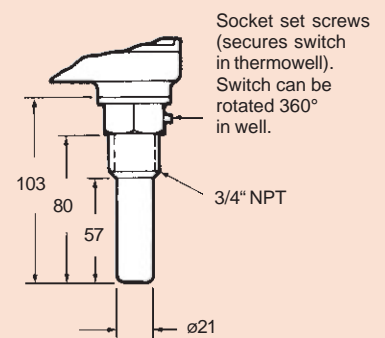
Barksdale Mechanical Temperature Switches

## Dimensions (in mm)

without thermowell



Thermowell models only



### Contacts: Colour codes and function

	low circuit	high circuit
C = common	= pink	C = brown
NC = normally closed	= blue	NC = orange
NO = normally open	= red	NO = yellow

### Order number example

Typ	Microswitch	Code adjustment range	Sensor material *	Option 1	Option 2
L2H	G	251		RD	WS

### Your order number

L2H					
-----	--	--	--	--	--

\* no code: brass/copper, option: S = stainless steel 316SS

Specifications are subject to changes without notice.

Microswitch	Max. temperature at sensor (°C)	Adjustment range (°C)	Hysteresis (°C)* (for microswitch „H“)	Order code	Option 1	Option 2
(H) Silver contact, small hysteresis	-73 ... +121	-45 ... +24	0,5 ... 1,6	<b>201</b>	(RD)	(W)
(J) Silver contact, sealed, small hysteresis	-73 ... +121	-9 ... +60	0,5 ... 1,6	<b>202</b>	Manual reset	Thermowell brass
(M) Silver contact, medium hysteresis	-73 ... +121	+24 ... +93	0,5 ... 1,6	<b>203</b>		
(GH) Gold plated contact, small hysteresis	-73 ... +205	+38 ... +107	0,5 ... 1,6	<b>351</b>	(Exi)	(WS)
(GM) Gold plated contact, medium hysteresis	-73 ... +205	+74 ... +143	0,5 ... 1,6	<b>352</b>	Exi-protection version	Thermowell VA (1.4571, 315SS Ti)
(S) Silver contact, adjustable hysteresis (G...RD) manual reset	-73 ... +205	+107 ... +177	0,5 ... 1,6	<b>353</b>		
	-73 ... +121	-45 ... +93	0,5 ... 1,6	<b>204</b>		
	-18 ... +260	+38 ... +177	0,5 ... 1,6	<b>354</b>		
	-18 ... +260	+66 ... +149**	1,6 ... 3,3	<b>451</b>		
	-18 ... +260	+110 ... 193**	1,6 ... 3,3	<b>452</b>		
	-18 ... +260	+149 ... 232**	1,6 ... 3,3	<b>453</b>		
	-18 ... +260	+66 ... 232	1,6 ... 3,3	<b>454</b>		
			3,3 ... 11,0 (S)			
			5,5 ... 16,5** (S)			
			2,8 ... manual (RD)			

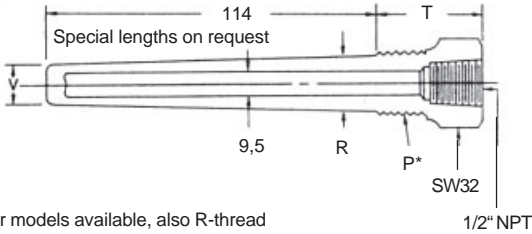
\* Values for use in liquids. In gaseous media the indicated range doubles.

# Accessories

## Thermowells

for remote sensor and capillary models

**Note:** Thermowells for 'local mount' models are treated on the respective pages.



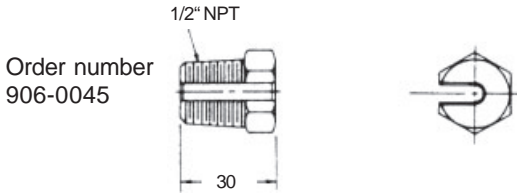
\* Other models available, also R-thread

1/2" NPT

Order number	P*	R	T	V
Brass 906-0044	1/2" NPT	17,5	47,5	16
906-0042	3/4" NPT	22,2	47,5	19
Stainless steel 906-0043	1/2" NPT	17,5	47,5	16
906-0041	3/4" NPT	22,2	47,5	19

## Split nut

Used to hold sensor in standard thermowell.



Order number  
906-0045

## Union connector

Used to hold sensor bulb in extra length thermowell. Seals the process connection where no thermowell is used. Note: Union contains compression discs and will seal to 21 bar

Order number	Material	P* NPT	A
926-0046	Brass	1/2"	57
906-0033	Brass	3/4"	63,5
926-0047	Stainless steel	1/2"	57
906-0032	Stainless steel	3/4"	63,5

## Thermal conductive paste

Order number	Description
0699-002	Tube 50 g

## Thermowell pressure- and temperature velocity limitations

Maximum fluid velocity in m/sek.

Material	Insertion length in mm							
	63,5	114	190	267	343	419	495	572
Brass	98 (45)	39 (25)	14	7	4,5	3	2	1,5
Steel	125 (82)	76 (45)	27	14	8,5	5,5	4	3
Stainl. steel	147 (106)	83 (63)	30	15	9	6	4,5	3

The values in brackets represent safe values for water flow. Other values are for steam, air, gas or similar low density media.

## Pressure - temperature rating (in bar)

Material thermowell	Temperature in °C				
	+22	+94	+210	+320	+430
Brass	350	295	70	*	*
Steel	365	350	335	320	245
Stainl. steel	490	435	390	380	365

\* Stainless steel recommended

## Armoured capillaries

(Standard lengths)

Description	Order number suffix
Stainless steel capillary stainless steel armoured	S - A (add to order number)

Example without (o) manual reset:  
o: T2H-H152-S-A, T2H-H601S-12-A  
Example with (m) manual reset:  
m: MT1H-G152-S-A-RD etc.

Capillaries in special lengths

Stainless steel sensor and 7,50 m stainless steel capillary and stainless steel armour:	S-25-A (add to any standard order number for capillary lengths of 180 cm)
---	---

Example without (o) and with (m) manual reset:  
o: MT1H-H153 S-25-A, T2H-H251 S-25-A  
m: MT1H-G153 S-25-A-RD, T2H-H251 S-25-A-RD

## Certificate

Order number	Description
998-9991	Work certificate EN 10204-2.1



**The fastest way to more information:**  
 . . . just complete the order form below  
 and fax it!



**Fax to :** **Barksdale Control Products GmbH**  
 Dorn-Assenheimer Strasse 27  
 D-61203 Reichelsheim / Germany  
**Fax-Nr.: +49 (0) 60 35 - 9 49-113**

**From :** Name : .....  
 Company : .....  
 Department : .....  
 Street / P.O.Box : .....  
 Post Code / City : .....  
 Telephone : .....  
 Fax : .....  
 e-mail : .....

**Date :** .....

Please send me detailed information about

- Mechanical Pressure Switches
- Electronic Pressure Sensors
- Electronic Pressure Switches
- Level Switches
- Continuous Tank Level Indicating Systems
- Level Probes
- Bypass Level Indicating Systems
- Flow Switches
- Mechanical Temperature Switches
- Electronic Temperature Sensors
- Electronic Temperature Switches
- Shear Seal- / Air Suspension Valves

In addition to the Electronic Temperature Transducers and Electronic Temperature Switches listed in this catalog our product range includes various other instrumentation and control equipment to monitor, measure and control

 **Pressure**

 **Temperature**

 **Level**

 **Flow**

We have the right solution for your measuring tasks.

Just contact us.

# Our Products



02 / 02 KTM-EN 02/1

Barksdale Mechanical Temperature Switches

Specifications are subject to change without notice.

## Barksdale

Represented by:

Control Products GmbH

### Barksdale

#### Control Products GmbH

Dorn-Assenheimer Strasse 27  
D-61203 Reichelsheim

Tel.: +49 - 60 35 - 9 49-0

Fax: +49 - 60 35 - 9 49-111 and 9 49-113

e-mail: Info@Barksdale.de

Web-Site: <http://www.barksdale.de>

Art.-Nr. 923-0876